

# Battery indicator



## SL-BI003

72V LED battery indicator battery fuel gauge battery charge gauge for DC powered equipment such as fork lifts, golf carts, floor care equipment, and any other battery powered equipment.

## PRODUCTS DESCRIPTION

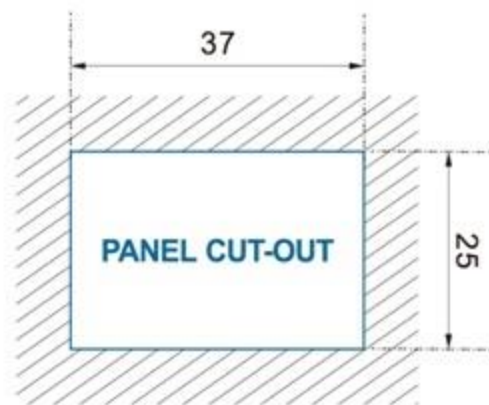
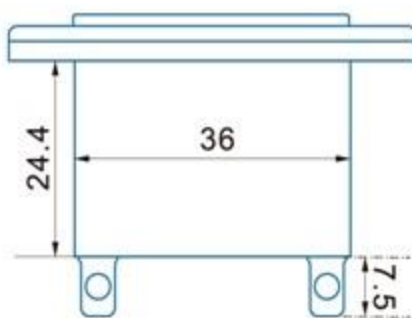
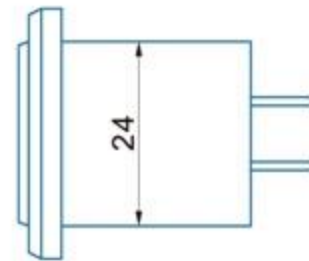
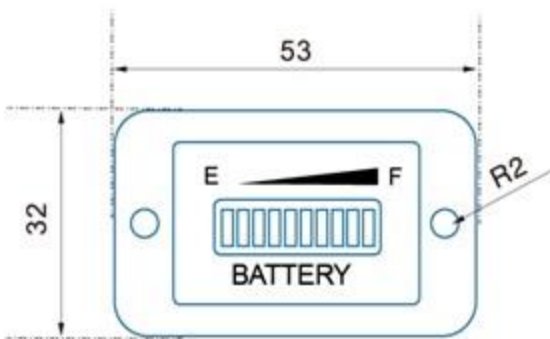
RL-BI003 Battery Indicator. It can work on most lead acid storage battery. It has a powerful battery indicator system and some other unique design.

**Battery Indicator System Including:** Delay Display Function, Power off Memory Function, Open Circuit Reset Function, etc.

**Unique Design Including:** easy SNAP-IN installation, data stored automatically after disconnecting with the battery, etc.

## SPECIFICATIONS

Product Model	SL-B1003
Product Size	53mm×32mm×24mm
Display Screen	10 Segment LED Bar Graph
Operation Current	20mA
Pin Material	Copper
Pin Type	+, -, C
Storage Temperature	-40°C - +85°C
Display Panel Material	Transparent ABS
Package	White Box
Package Size	62mm×50mm×41mm
N.W.	45g
Waterproof Rate	IP65
Operation Temperature	-30°C—85°C





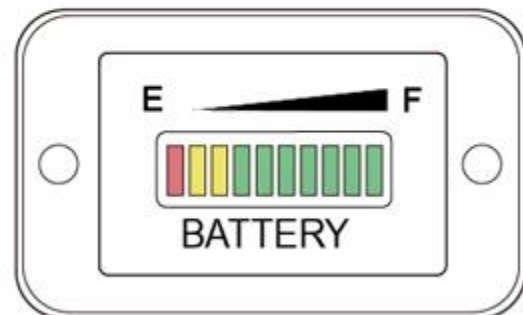
## Lead acid storage battery indicator

SL-BI003

## LED Battery Meter

The new LED volt meter design for buyer who would like to know the real time information about battery. With the warning light design, buyer could easily know that the battery is in good or bad condition and react on time.

Show battery level

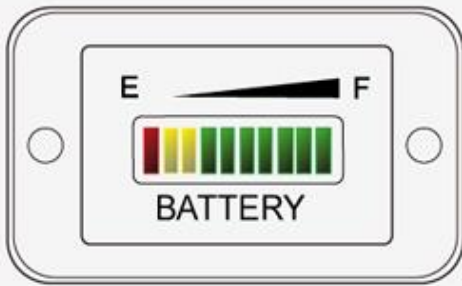


# LED Battery Indicator

Suit for 72V lead acid storage battery(liquid).

## Battery Indicator

10 Segment LED Bar Graph display 3 Color LED Display



## Unique Design

Easy Installation

Waterproof IP65

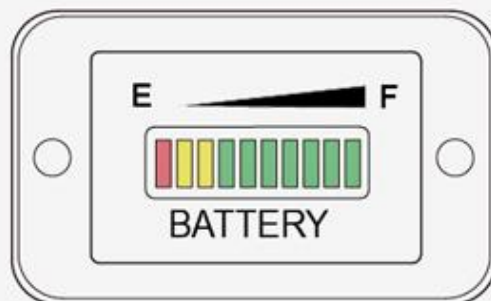
# LED Battery Indicator

LED light

1 red

2 yellow

7 green



# Working voltage of every bar

## Battery charge voltage

72V battery indicator use the voltage higher than 73.8V

Voltage	≤ 1	2	3	4	5	6	7	8	9	10
72V	62.28	63.54	64.8	66.06	67.32	68.58	69.84	71.1	73.8	≥ 73.8
Display Mode	1#—2# flash Alternately (frequency :1Hz)	Only 2# flash (frequency :1Hz)	Only 3# lit	Only 4# lit	Only 5# lit	Only 6# lit	Only 7# lit	Only 8# lit	Only 9# lit	Only 10# lit
Display colors of LED	Red	Yellow	Yellow	Green	Green	Green	Green	Green	Green	Green

# Battery Indicator System

## Open circuit reset function

Can Intelligent Identify new battery.

When battery indicator connect with new battery, it will display full.

After 155s, it will display the real battery level segment.

Connect with new battery



# Battery Indicator System

## Delay Display Function

**155s** delay when battery capacity down suddenly with big power cost  
Avoid meter display up and down too quick.  
Let user knows the actual capacity.

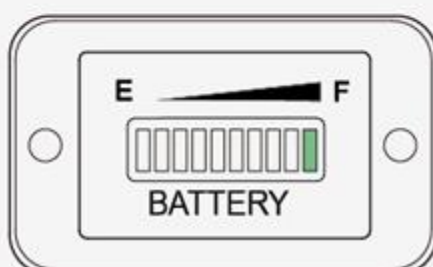
(eg: When a e-bike climb a mountain, meter will display nearly empty,  
but actually it has many power left.)



# Battery Indicator System

## Meter display only down no up

Meter display can only from full to empty, can not up.  
While using battery,it will not add capacity midway as we all know.



Battery level indicates  
from up to down



# Battery Indicator System

## Recognition false battery charging signals Function

Only when battery charging  
higher than definite voltage and last more than 6 minutes  
can it be recognized to full battery.

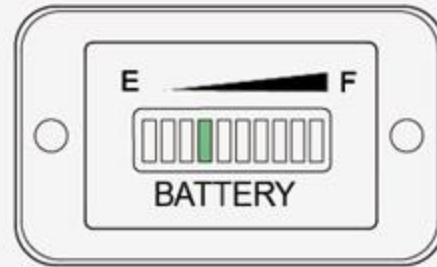
display 10 segments circularly



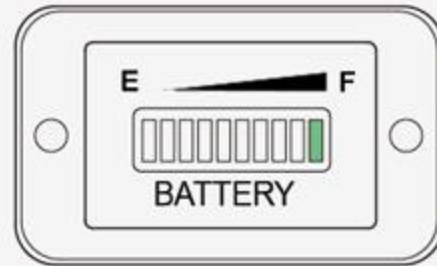
# Battery Indicator System

## Power off Memory Function

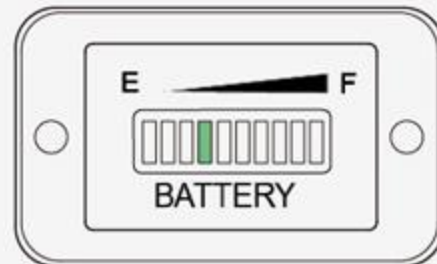
When cut power with the meter,  
it will record power consumption at the time.



After re-connected with power,  
if the battery is fully charged,  
battery indicator will display full power.



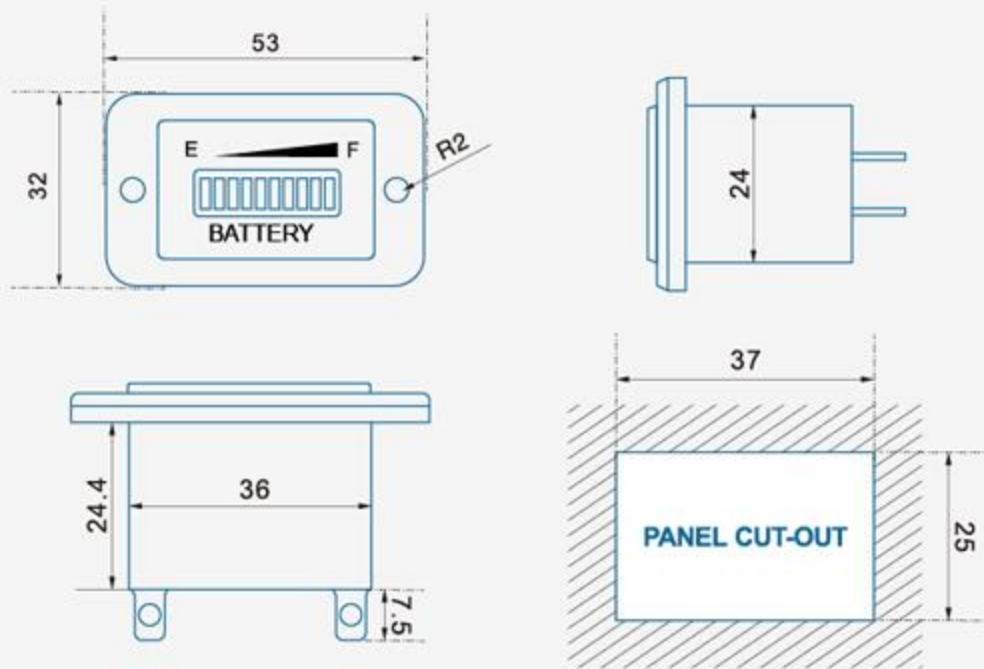
When battery is not full powered,  
it will display when the power is off.





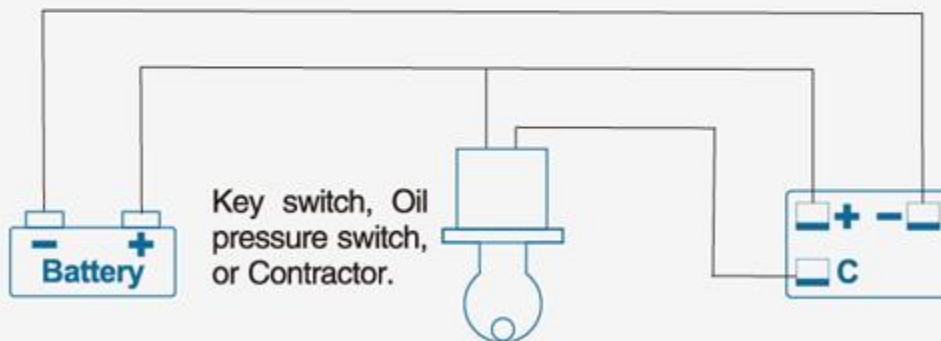
# Dimensional Drawing

White box packaging, More safe transportation.



# Wiring Diagram

**+/-/c connection**



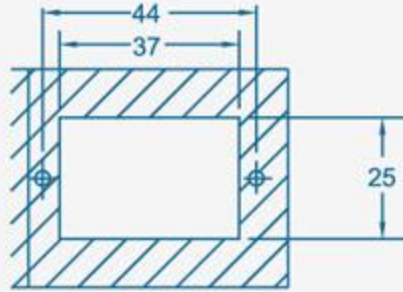
# Specification

Product Name	Battery Indicator
Item Number	SL-BI003
Product Size	53mm×32mm×24mm
Display Screen	10 Segment LED Bar Graph
Operation Current	20mA
Pin Material	Copper
Pin Type	+, -, C
Storage Temperature	-40°C - +85°C
Display Panel Material	Transparent ABS
Package	White Box
Package Size	190mm*113mm*25mm
N.W.	45g
Waterproof Rate	IP65
Operation Temperature	-30°C—85°C

# Easy Installation

## Snap-in installation, save time and effort

Drill corresponding holes in the mounting plate.



Insert the meter into the mounting.

Tighten meter with screws.

